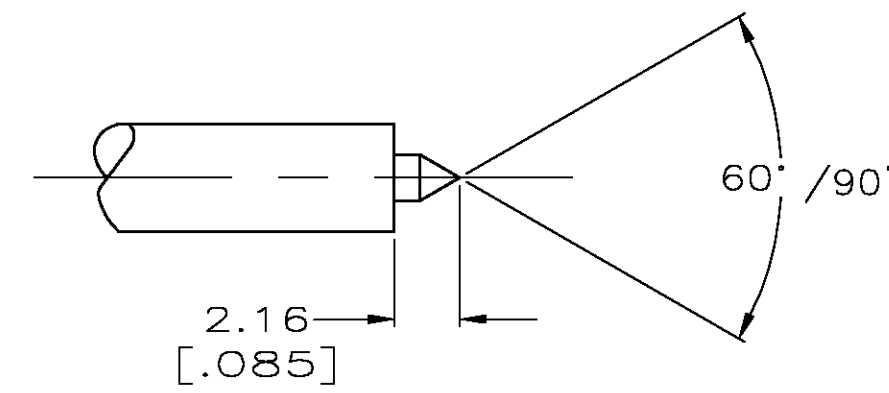
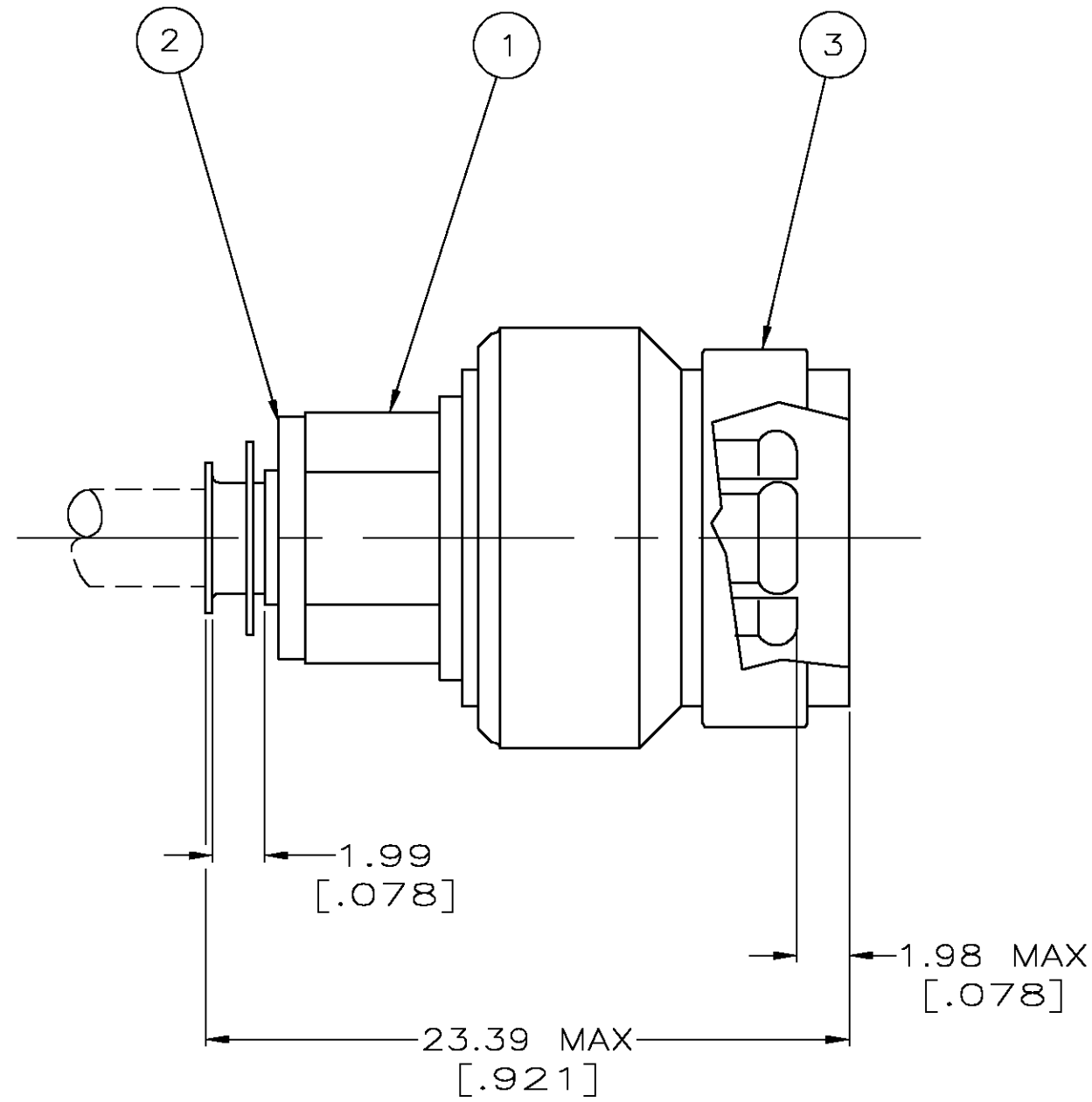


THIS DRAWING IS UNPUBLISHED. RELEASED FOR PUBLICATION
 © COPYRIGHT BY TYCO ELECTRONICS CORPORATION. ALL RIGHTS RESERVED.

LOC	DIST	REVISIONS					
AJ	16	P	LTR	DESCRIPTION	DATE	DWN	APVD
		G		RDW & REV PER 0514-0193-04	06-09-04	JDP	JGH

△ 1 USE INSTRUCTION SHEET 408-2990



OBSOLETE	RG-405/U, .086 CABLE OD	-	-	-	-	228505-1	228312-1	228179-4
	RG-402 OR MI7/130	220235-1	312644-1	59980-1	-	228446-2	228312-2	228179-3
	.141 CABLE OD, 50Ω	220235-1	220220-1	220218-1	-	228446-1	228312-1	228179-2
OBSOLETE	.141 CABLE OD, 50Ω	59897-1	220220-2	59980-1	226181-2	228077-3	226324-1	228179-1
	FOR USE WITH CABLE	DIE SET	LOCATOR	HAND TOOL	③ COLLAR QTY=1	② ADAPTOR ASSEMBLY QTY=1	① PLUG ASSEMBLY QTY=1	PART NUMBER

THIS DRAWING IS A CONTROLLED DOCUMENT.

DWN	K. TOBIAS	10-27-92	 Tyco Electronics Corporation Harrisburg, Pa 17105-3608	
CHK	M.E. COWHER	12-11-92		
APVD	M.E. COWHER	12-11-92		
PRODUCT SPEC				
APPLICATION SPEC			NAME	PLUG, TNC
WEIGHT	-		SIZE	A2
CUSTOMER DRAWING			CAGE CODE	00779
			DRAWING NO	C=228179
			RESTRICTED TO	-
			SCALE	4:1
			SHEET	1 OF 1
			REV	G